

AT 92 AB

35!!!

This down the hole hammer is a general purpose hammer with valveless design has the ability to offer a lower operation cost and higher working life. The AT92AB is manufactured with hardened steels and designed with heavy duty parts to provide long life and lower service cost, it operates at the optimum air pressure between 12-24 bar.

Specifications

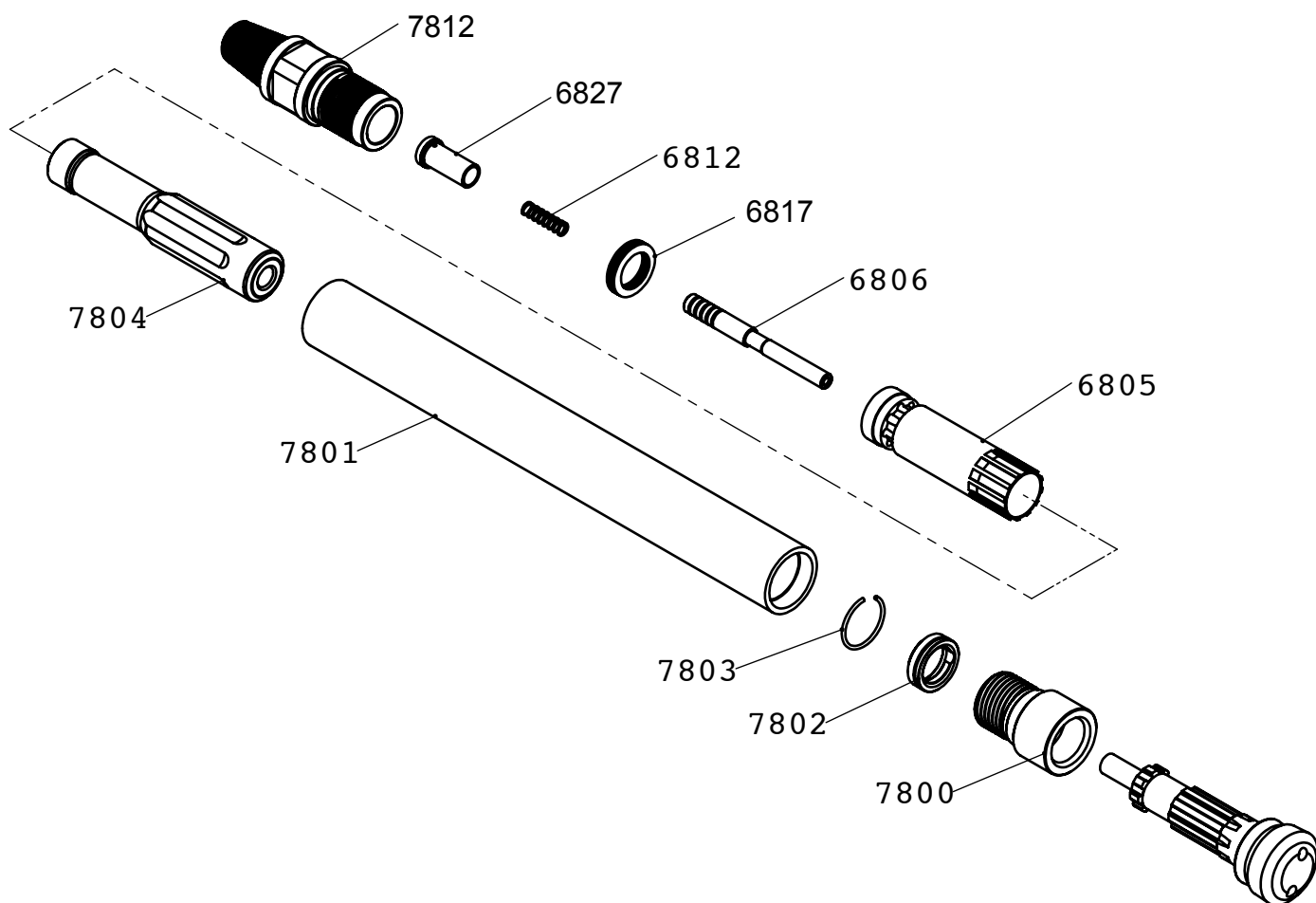
- ✓ Compact Piston design for long life in high pressures .
- ✓ 3-starts threads for easy disassembly.
- ✓ Reverse Valve.
- ✓ Idle blow protection to reduce wear on drill parts and bit.
- ✓ Additional flushing on special jobs.
- ✓ Easy to service.
- ✓ Long working life.
- ✓ Thicker 82mm outer components to provide extended service life in abrasive conditions.
- ✓ Strong robust design withstands heavy duty applications
- ✓ Can be converted to DTH Hammer with valve (AT 92 MB).

Weight	25.8	kg
External Diam.	82	mm
Length	970	mm
Piston Diameter	62	mm
Piston Stroke	90	mm
Working Pressure	6 - 20	Bar
Wrench flat	65 ÷ 50	mm
BackHead Thread type	Reg 2 3/8 API Pin	
Bit Shank Design	90 - 105	mm
	I/R DHD 3.5	

Pressure Bar	Impacts/min	Air Consumption		
		lt/sec	m3/min	CFM
8	1347	51.3	3.1	109
10	1472	68.5	4.1	145
14	1702	108	6.48	229
17	1849	140.7	8.44	298
20	1983	176	10.57	373
24	2149	227	13.62	481

AT 92 AB

DTH Hammers



Code	Description	Qty	Weight(Kg)
7800	Chuck	1	1.94
7801	External Sleeve	1	11.43
7802	Bit Retaining Ring	1	0.19
7803	Retaining Spring	1	0.02
7804	Piston	1	5.30
6818	Internal Sleeve	1	1.48
6815	Control Valve	1	0.39
6817	Dish Spring	3	0.04
6812	Spring	1	0.01
6827	Reverse Valve	1	0.06
7812	BackHead 2"3/8 Pin	1	4.23
7813	BackHead 2"3/8 Box	1	4.23

I/R 3.5	
Code	Diameter (mm)
	92
	95
	100
	105

DTH Hammer	BackHead Thread	Bit Shank	Code
AT 92 AB	API 2" 3/8 REG Pin	I/R 3.5	120100
AT 92 AB	API 2" 3/8 REG Box	I/R 3.5	